



MODEL 1405 ADVANCED TRIP MODULE INSTALLATION MANUAL

1.0 GENERAL.

The Model 1405 provides the proper trip required when using an Eagle Model 1241 Two Way Audio Verification Module in the line hold mode with a control panel manufactured by Radionics[®], C & K[®], Linear[®], or Detection Systems[®]. The Model 1405 may also be used to provide the proper trip (for use in the line hold mode) from any alarm panel which does not provide a two way trip or listen in trip.

2.0 REQUIREMENTS.

2.1 POWER.

Operating Voltage: 9 to 14 VDC.
Current Draw: 10 mA.

2.2 SYSTEM

The Eagle Model 1405 requires the following hardware:

- 1) Eagle Model 1241 Two Way Audio Verification Module
- 2) Eagle P/N 117003 cable (included with Model 1405)

3.0 CONNECTIONS.

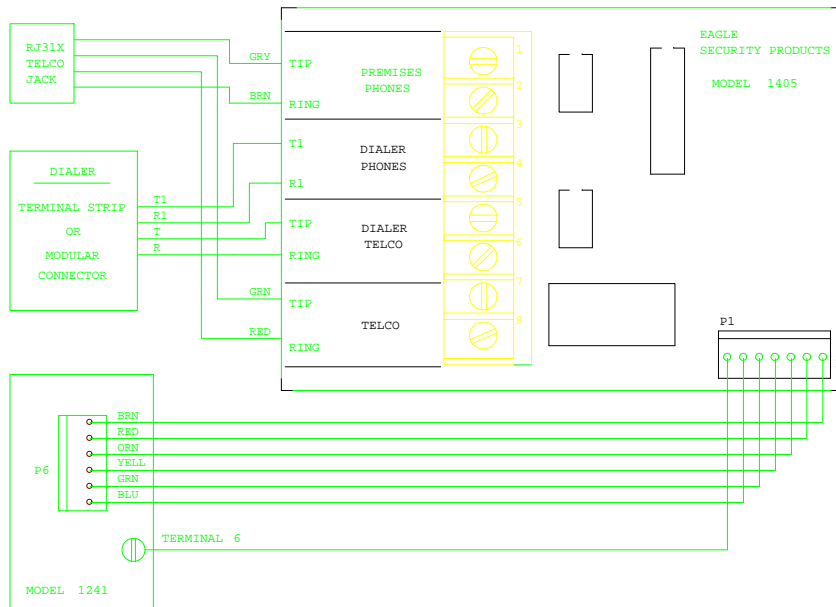
INTERCONNECT CABLE. Connect the eight (8) position connector end of cable P/N 117003 to P1 on the 1405. Connect the six (6) position connector end of the same cable to P6 on the Model 1241. Connect the VIOLET wire to terminal 6 on the Model 1241.

Caution: Be careful to connect the VIOLET wire to Terminal ANS HGUP (6) NOT Terminal TRIP (5)!

"STREET" TELCO. Connect "TELCO" on the 1405 to the RJ-31X jack using the accompanied cable.

"PANEL". Connect "PANEL" on the 1405 to the RJ-31X cord from the control panel / digital communicator.

ALARM PANEL CONNECTIONS. The alarm panel TELCO connections connect to the 1405 "PANEL" connector.



4.0 CONFIGURATION.

4.1 MODEL 1241 DIP SWITCHES.

Configuration switches one (1) through five (5) on the Model 1241 should be configured to suit the installation requirements. **SWITCH SIX (6) MUST BE SET IN THE OFF POSITION.**

Features and specifications subject to change without notification.

LIMITED WARRANTY

Eagle Security Products, Inc. warrants that the products of its manufacture shall be free from defects in materials or workmanship to one year from the date of invoice if such goods have been properly installed, are subject to normal proper use, and have not been modified in any manner whatsoever. Upon return of the defective product to the nearest Eagle Security Products dealer, Eagle Security Products will, at its sole discretion, either repair or replace, at no cost to the customer, such goods as may be of defective material or workmanship. Customers outside the United States are to return products to their distributor for repair.

EAGLE SECURITY PRODUCTS, INC. SHALL NOT UNDER ANY CIRCUMSTANCES BE LIABLE FOR ANY INCIDENTAL OR CONSEQUENTIAL DAMAGES ARISING FROM LOSS OF PROPERTY OR OTHER DAMAGE OR LOSSES OWING TO THE FAILURE OF EAGLE SECURITY PRODUCTS' PRODUCTS BEYOND THE COST OF REPAIR OR REPLACEMENT OF ANY DEFECTIVE PRODUCTS.

EAGLE SECURITY PRODUCTS INC. MAKES NO WARRANTY OF FITNESS OR MERCHANTABILITY AND NO OTHER WARRANTY, ORAL OR WRITTEN, EXPRESS OR IMPLIED, BEYOND THE ONE YEAR WARRANTY EXPRESSLY SPECIFIED HEREIN.